

Rockfon® Beamgrid® Open Plenum Ceiling System

Applications

Create attractive open ceilings in interior spaces.

Features

- Large scale open grid.
- Wide selection of profiles and module sizes.
- Variety of perimeter solutions.
- Painted and reflective finishes.
- Metal contains no organic compounds to support mold or microbial growth.

Benefits

- Conveys intimacy of a lowered ceiling while maintaining openness.
- Beams scaled to suit the size of the space.
- Sustainable: 75%-100% recycled content, 100% locally recyclable.

Material:

0.032" aluminum finished on outer surface.

Components:

1. Main/Cross/Perimeter Beams:

Painted Colors

Other _____

Module Size:

- | | |
|----------------------------------|--|
| <input type="checkbox"/> 1' x 1' | <input type="checkbox"/> 2' x 4' |
| <input type="checkbox"/> 1' x 2' | <input type="checkbox"/> 3' x 3' |
| <input type="checkbox"/> 1' x 4' | <input type="checkbox"/> 4' x 4' |
| <input type="checkbox"/> 2' x 2' | <input type="checkbox"/> Special order _____ |

Profiles (W x H)

- | | |
|----------------------------------|--|
| <input type="checkbox"/> 1" x 1" | <input type="checkbox"/> 2" x 4" |
| <input type="checkbox"/> 1" x 2" | <input type="checkbox"/> 3" x 3" |
| <input type="checkbox"/> 1" x 4" | <input type="checkbox"/> 4" x 4" |
| <input type="checkbox"/> 2" x 2" | <input type="checkbox"/> Special order _____ |

2. Wall Channel:

Finished on both sides

- | | |
|----------------------------------|--|
| <input type="checkbox"/> 1" x 1" | <input type="checkbox"/> 2" x 4" |
| <input type="checkbox"/> 1" x 2" | <input type="checkbox"/> 3" x 3" |
| <input type="checkbox"/> 1" x 4" | <input type="checkbox"/> 4" x 4" |
| <input type="checkbox"/> 2" x 2" | <input type="checkbox"/> Special order _____ |

3. Wall Channel:

Double: Field fastened face-to-face creating perimeter beam.

- | | |
|----------------------------------|--|
| <input type="checkbox"/> 1" x 1" | <input type="checkbox"/> 2" x 4" |
| <input type="checkbox"/> 1" x 2" | <input type="checkbox"/> 3" x 3" |
| <input type="checkbox"/> 1" x 4" | <input type="checkbox"/> 4" x 4" |
| <input type="checkbox"/> 2" x 2" | <input type="checkbox"/> Special order _____ |

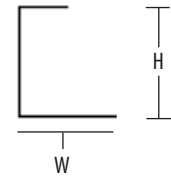
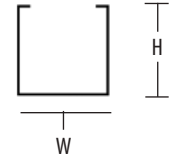
4. Hanger/Coupler:

For selected beam profile

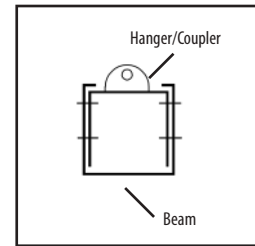
5. Corner Kit: For floating perimeter beam corners, unassembled.

For selected beam profile (includes coupling pieces and mitering).

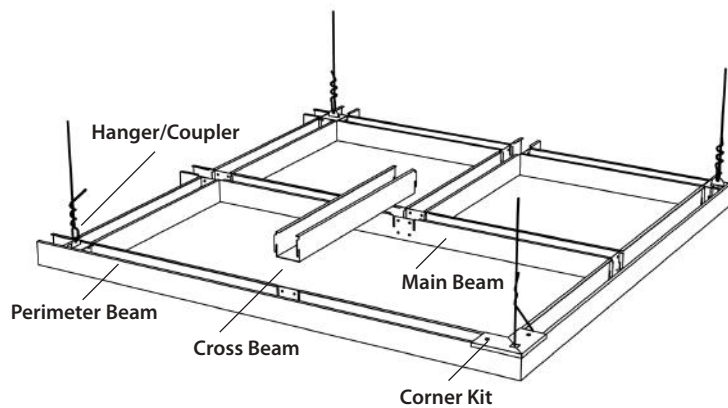
Profiles



Section



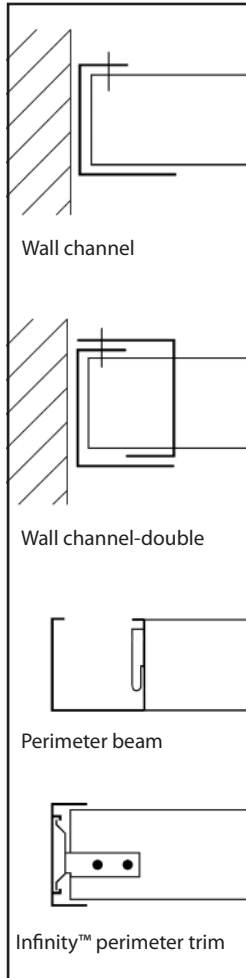
Hanger/Coupler



Rockfon® Beamgrid® Open Plenum Ceiling System

Physical Data

Sections



MATERIAL:	Beam depth: 1", 2", 3", 4"
	Beam width: 1", 2", 3", 4"
	Aluminum: painted, reflective and anodized
SURFACE:	Smooth
SIZE:	Spacing: 12", 24", 36", 48"
FIRE:	Class A: flame 0, smoke 0 per ASTM E-84
PERFORMANCE:	Interior applications
SUSPENSION:	Beam
CLASSIFICATION:	Type XX, pattern G per ASTM E 1264
WARRANTY:	1 year limited
SUSTAINABILITY:	75% - 100% recycled content, 100% locally recyclable



Rockfon 4849 SOUTH AUSTIN AVE., CHICAGO, IL 60638 / USA and Canada: 800-323-7164 / Fax: 800-222-3744 / rockfon.com